

PPLN oven mounting

Flexure stage solutions



PVP1R



PVP2R



RP12.5

version 1.0/2011

Covesion's flexure mount adapters are designed to be compatible with a vast range of flexure stages, which are widely available at optomechanics suppliers. Originally designed for fiber alignment, these precision stages are ideal for PPLN grating alignment.

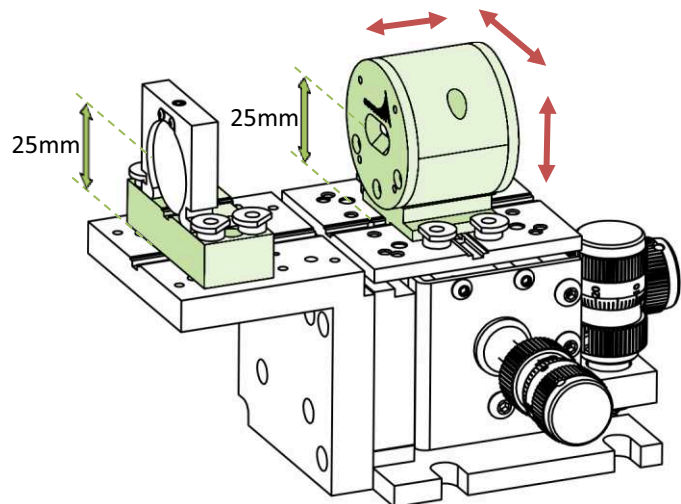
part #	description	optical height
PVP1R	PV10 adapter mount for flexure stages	25mm
PVP2R	PV20 and PV40 adapter mount for flexure stages	25mm
RP12.5	12.5mm riser plate for flexure stage mounts	25mm



X, Y, Z

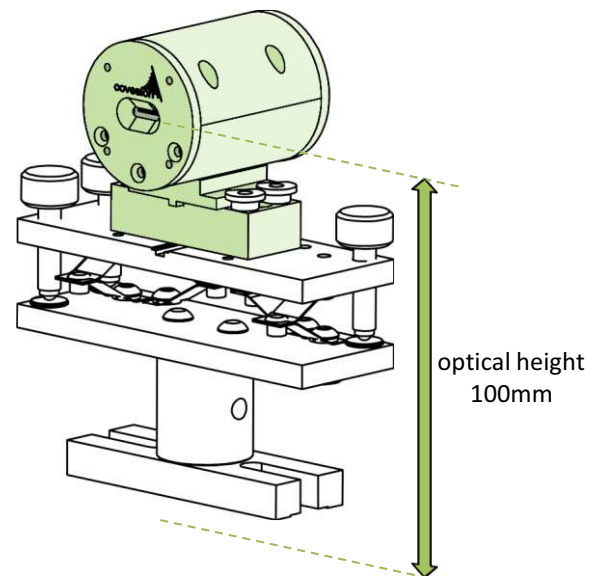
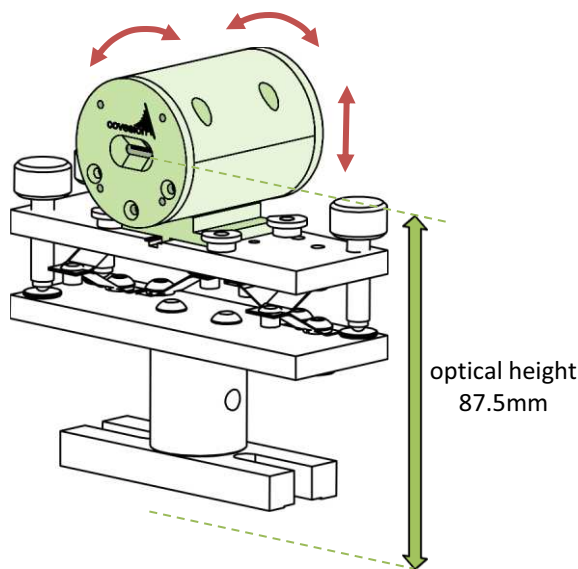
Allows high-precision alignment relative to focussing lens and translation through poled gratings

- Suitable for Covesion PV ovens
- Flexure mount adapters **PVP1R** and **PVP2R**
- **RP12.5** to increase the optical height of flexure optics mounts to 25mm.
- 3-axis flexure stage + platform bracket (available from Thorlabs, Newport, CVI Melles Griot, etc.)



Pitch, roll and height

- Suitable for PV ovens
- Flexure mount adapters **PVP1R** and **PVP2R**
- "Adjustable Height, Pitch and Roll Platform", Thorlabs AMA027
- Optional use of **RP12.5** to increase the optical height to 100mm



PPLN oven mounting

Post mounting solutions



PVP1



PVP2

version 1.0/2011

Covesion's post mount adapters are designed to be compatible with standard optics posts, which are widely available at optomechanics suppliers. These popular post assemblies provide a robust solution for PPLN crystal mounting.

part #	description	optical height
PVP1	PV10 post mount adapter	25mm
PVP2	PV20 and PV40 post mount adapter	25mm



PVP1

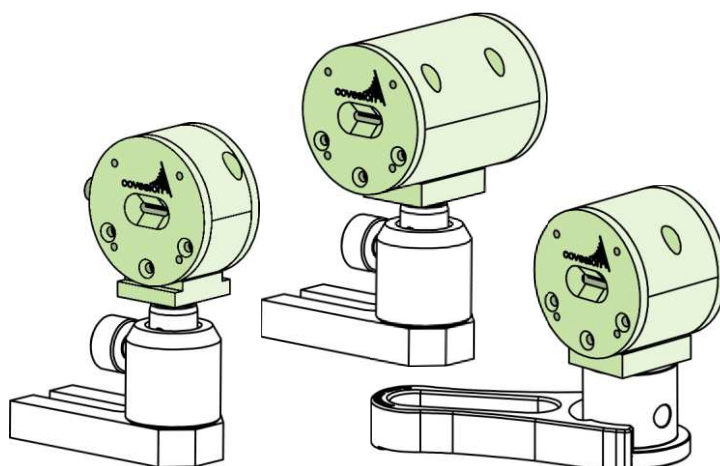


PVP2

Post assemblies

Allows simple and robust alignment with a small footprint and will suit almost any optical height.

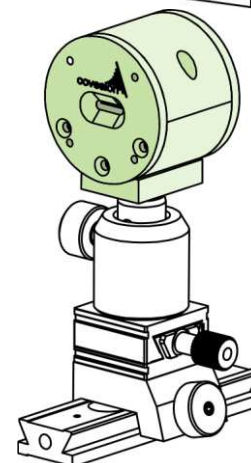
- Suitable for PV ovens
- Oven mount adapters **PVP1** and **PVP2**
- $\text{\O}1/2''$ or $\text{\O}1''$ post assemblies – widely available at Thorlabs, Newport, CVI Melles Griot, etc.



Post assemblies and rail systems

Post mounted optics can be easily incorporated into more complex arrangements such as rail systems.

- Suitable for PV ovens
- Post mount adapters **PVP1** and **PVP2**
- Post and post holder provide coarse vertical adjustment
- Dovetail rail provides coarse adjustment along optical path
- Dovetail single-axis translation stage provides fine adjustment through gratings



For more information, please contact us at:

tel: +44 (0)1794 521 638

fax: +44 (0)8709 289 714

email: sales@covesion.com

www.covesion.com

Covesion Ltd. Unit A7, The Premier Centre, Premier Way, Romsey, SO51 9DG, UK

Registered in England No. 06338847, VAT No. 943 1896 00

Copyright © 2010-2011 Covesion Ltd.

