

Fibre-coupled (input & output) waveguide package for CW Second Harmonic Generation (SHG)

Designed for both OEMs and Researchers who need up to 500mW output power in a ruggedised package with no exposed fibre and PM-FC-APC connectors embedded in the enclosure

Robust option to generate SHG for Input wavelengths 1558nm-1562nm

- Robust with long lifetime
- Will handle Input powers up to 2W



Specification

Non-Linear Interaction	Type 0
Input wavelength range for SHG [nm]	1558-1562
Output wavelength range [nm]	779-781
Phase match temperature between [°C]	30 to 110
Recommended max. CW pump launch [W]	2
CW pump launch required for 500mW SHG output [W]	<2
Typical module efficiency (@2W in) [%]	>25
Fiber connector	PM-FC-APC
Connector Keyway Alignment	Slow Axis
Weight [g]	325
Dimension [mm]	150 x 52 x 24

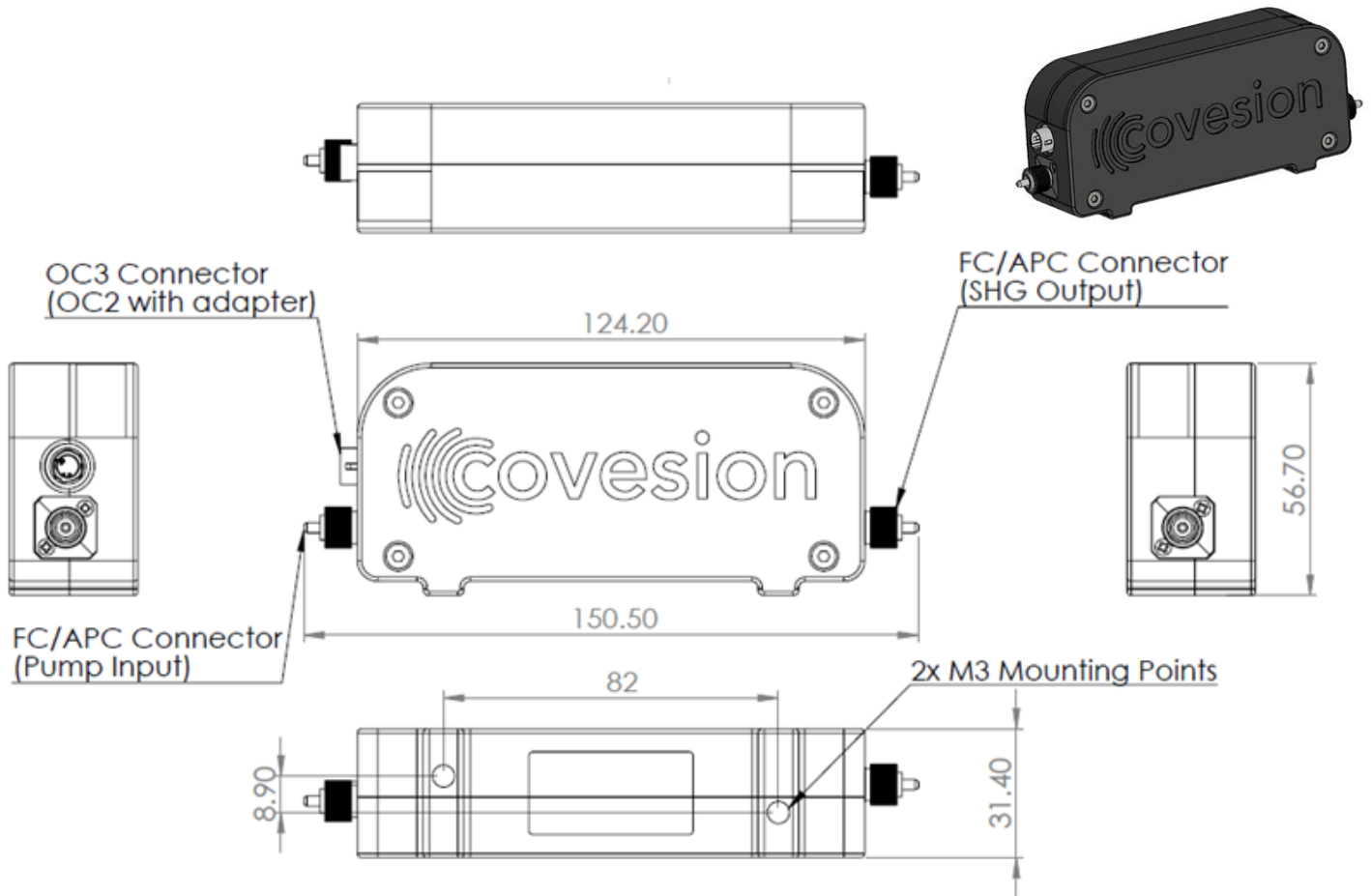
Contact us to discuss availability and pricing

Email sales@covesion.com
Tel +44 (0)1794 521 638
Web www.covesion.com



Ruggedised Packaged Waveguide WGP-M-1560-40

Version 4.1 /2021



Accessories

Optical table mounting plate

Waveguide Fibre patch cord pack

Waveguide module to OC2 adapter kit



Contact us to discuss availability and pricing

Email sales@covesion.com
Tel +44 (0)1794 521 638
Web www.covesion.com

